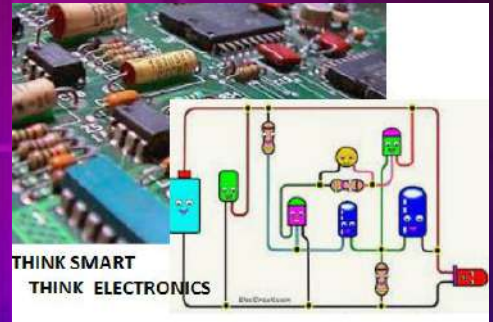


## Department of Electronics and Communication

### About us

The Department of Electronics and Communication Engineering was established in the year 2001 and since then, the department has been offering full time B.E degree programme. Electronics department has been continuously striving to get updated with the latest trends in the fast-growing technological revolution and the highly skilled and experienced staff along with innovative and motivated students is the backbone behind this. Workshops and symposiums are organized every year to enrich the knowledge of the students. ME VLSI Design Programmed was commenced in 2011 with an intake of 18 students, to specially focus on research and development.



### Department Vision and Mission

#### **Vision**

- ❖ To be a leader in affording high quality education in the frontier areas of Electronics and Communication Engineering, fostering Engineers, Technologists and Scholars of highest proficiency, who would promote sustainable development of the environment, industry and society.

#### **Mission**

- ❖ Enhancing the teaching learning process by adopting the best and contemporary practices in order to generate qualified engineers and technocrats for careers in Research, Industry and Business with social and common concern.
- ❖ Facilitating Quality Education through enriching the technical knowledge and skill of the students to achieve academic excellence.
- ❖ To influence students to become responsible citizens and good human beings for the overall welfare of the society.
- ❖ Providing high-quality skills and knowledge, with a focus on developing the technical expertise required to meet current and changing industry and social needs.



**Er. A MOHAMED YUNUS**  
BE, M.Sc., Engg  
Chairman  
M.I.E.T. Institutions

### CHAIRMAN's MESSAGE

Being the current world not a hasty track, the responsibility of creating a high-quality educational institution is challenging and embellished with a host of initiatives which validate them over an extended time span. Moreover, in a world where time and space are compacted, there is a massive defy for success which necessitates knowledge, which is current, pertinent and based on real experience. In this situation, the education plays a paramount role in molding, shaping and preparing youngsters to face the challenges of the future world. We at M.I.E.T., motivate and empower our students to be enduring learners, critical thinkers and prolific members of an ever-changing global society. Also, the students are encouraged to channelize their potential in the pursuit of fineness in a holistic and student-centered environment. Moreover, M.I.E.T strives hard to sensitize its students to the needs of the community and inculcate values like truthfulness, fortitude and acceptance of individual differences. I am confident that M.I.E.T will always be a bonfire of light guiding the fate of its students, while blistering kindness and compassion as it ascends high in its pursuit of academic excellence and accomplishment of our motto "Humanize, Equalize, Spiritualize"



**Dr. A NAVEEN SAIT**  
ME, Ph.D  
Principal  
M.I.E.T. Engineering College

### PRINCIPAL's MESSAGE

As the Principal of our esteemed college, I am immensely proud of all of you. You all have been inspiring us with your hard work and dedication, and have made us proud with your many achievements over the years.

As we look ahead to the future, I urge you to continue to strive for excellence and to never give up on your dreams. Your college experience should be one of exploration, growth, and discovery. I hope that you will continue to take advantage of all the resources our college has to offer to help you reach your goals.

I also want to take a moment to thank all of you for your contributions to the college magazine. Your creativity and enthusiasm for showcasing the college's achievements has been remarkable.

## Students participation in in-plant training / conferences/workshops/symposium

- Ms. Sharmila D, Thrishiya R final year students participated in the “Workshop” competition organized by ‘Code Bind Technologies’, Trichy.
- Mr. Pragadeeswaran V, Mohamed Amjath S, Fahadhu Rilwan A, Sriganth S, third year students participated in the “Workshop” in Building Energy Management using IoT organized by NIT Trichy.
- Mr. Sriganth S , Alegeshwari S, third year students participated in the Employability Skills for Youth organized by BIT campus, Trichy.
- Ms. Hasan Basari A, Ragul S, of final year students participated in the “Workshop” organized by PSG Collge of Engineering, Coimbatore.
- Mr. Aarthi A, Yogeswari S, of second year students participated in the “Workshop” organized by Mount Zion College of Engineering and Technology, Pudukkottai.
- Mr. Farzana Begum M, of third year students participated in the National Conference Paper Presentation organized by Sri Bharathi Engineering College, Pudukkottai.
- Ms. Hasan Basari A, Ragul S, Charu of final year students participated in the “Workshop” organized by PSG Collge of Engineering, Coimbatore.

## Faculty Participation

- N. Priscilla Vilma Manorathi has attended NPTEL online certification and got Elite certificate in Introduction to IoT with 66% of score conducted by IIT Kharagpur.
- S. Suraj Kumar has attended NPTEL online certification and got certificate in Introduction to IoT with 58% of score conducted by IIT Kharagpur.
- Dr. K. Rajasri has participated in Faculty Development Programme in IoT organised by TANSAM with Naan Mudhalvan, BIT campus.
- R. Anitha has participated in Faculty Development Programme organised by IBM with Naan Mudhalvan, BIT campus.
- Dr. K. Rajasri has participated in Faculty Development Programme in Recent technological development in mines and power plant organized by EEE, Annamalai university, Chidambaram.
- N. Priscilla Vilma Manorathi has participated in Faculty Development Programme organised by Vels Institute of Science and Technology.

## Guest Lectures and Workshop

- A Guest lecture was conducted on the topic “Essential Skills and Strategies for Aspiring Engineers” for our students on 06.04.2024 by Mr. Raju Jayaraman Electrical System/Project Engineer E-Tech Yachting Spain was the Resource person.
- A Guest lecture was conducted on the topic “Arduino Based IoT Applications” for our students on 06.03.2024 by Er. E. Kousigan, CEO-KOLOZEN Tech World Pvt. Ltd., Co-Founder & CTO, Triz AI Pvt. Ltd. in Chennai was the Resource person.

## IEI –GUEST LECTURE

- The IEI student chapter was conducted “Innovative Trends in Cyber Safety and Threats” guest lecture on 26-03-2024, followed by presidential address by Er. T. Siva, Founder-Cybernerds Solution, Thanjavur.

## Industrial Visits



**Company:Kerala Electrical Allied Engineering**



**Project: Intelligent Emergency Response Integration with Autonomous Assistance Robot for Hospital**

ELECTRA

**EDITORIAL BOARD**

**Chief Editor**

**Mrs. R.Anitha, AP/ECE**

**Co- Editor**

**Dr,K. Rajasri, AP,ECE**

**Ms,N.Priscilla Vilma Manorathi AP/ECE**

**Students Editors**

**Hasan Basari A**

**Sriganth S**

**Shanmuganathan S**